



The Royal Scottish Country Dance Society

Stockholm Branch

Dansprogram 2 mars 2026

Hej alla dansare

Denna gång blir det genomgång av Diamond Pousette repetition av Tourbillon samt även repetition av Corner Pass and Turn. Vi dansar även The Knot i både Strathspey och Reel time.

Susanne och Tanja

ORAGE À LYON (S3x32) 3C Set Corinne Hilpert Gone Dancing Bk 2

- 1- 8 1s set advancing, turn 2H to finish in middle facing down, 1s dance down 2 places, turn 2H to 3rd place 2 3 1
- 9-16 3s+1s dance Tourbillon:
 3s & 1s 1/2 turn partners 2H, 3M & 1L lead partners on 1 place clockwise to end 3s on Ladies' side & 1s on Men's side, 1s set to 3s
 3s & 1s 1/2 turn partners 2H, 1L & 3M lead partners on 1 place to end 1s in 2nd pl & 3s in 3rd pl & 1s+3s cross RH to own sides 2 1 3
- 17-24 All chase clockwise 1/2 way, all 1/2 turn partner RH, face partner, pull back RSh & dance out to own sides 3 1 2
- 25-32 1s+2s dance Diamond Pousette 3 1 2

ORAGE À LYON		3x32 S	
S _↑ T _B	<div style="display: flex; flex-direction: column; align-items: center;"> <div style="margin-bottom: 5px;">2 3</div> <div style="margin-bottom: 5px;">2 3</div> </div> T _B	Tourbillon 3 1 T _B ¹ / ₂ 1 bar	 S
 T _B ¹ / ₂ 1 bar	1x 3x X _R	2 1 3 	3x 1x 2x T _R ¹ / ₂
		1 2 P	

Corinne Hilpert

3C/3C longwise set.



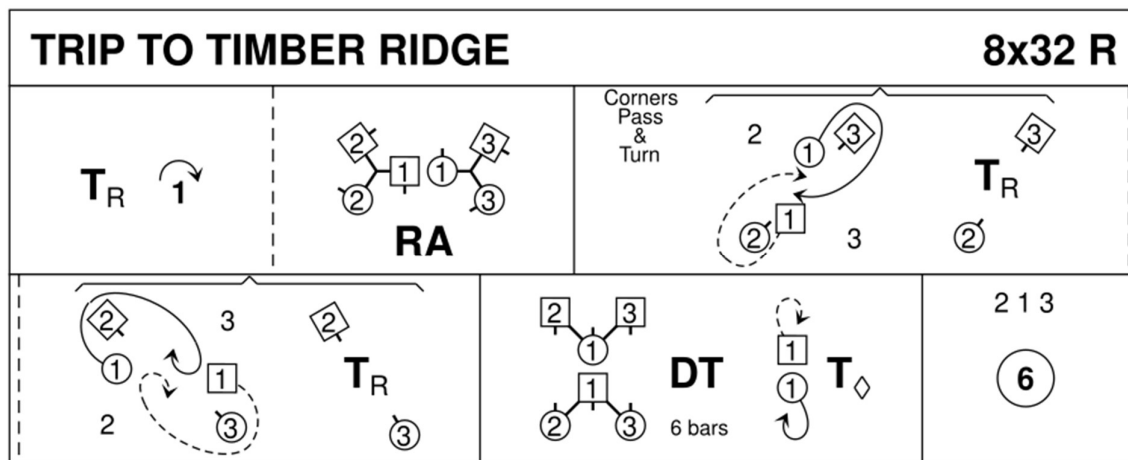
The Royal Scottish Country Dance Society

Stockholm Branch

TRIP TO TIMBER RIDGE (R8x32) 3C (4C set)

RSCDS Bk 52

- 1- 8 1s turn RH, cast (2s step up) then 1L+2s & 1M+3s dance RH across. 1s end facing 1st corners
- 9-16 1s dance Corner Pass+Turn with 1st corners, pass RSh & repeat with 2nd corners. 1s pull back RSh to end BtoB in centre facing opp sides
- 17-24 2s+1s+3s dance Double Triangles. Bars 23-24 1s petronella turn to 2nd place own sides
- 25-32 2s+1s+3s circle 6H round and back



Linda Henderson, 2010, RSCDS Book 52.12

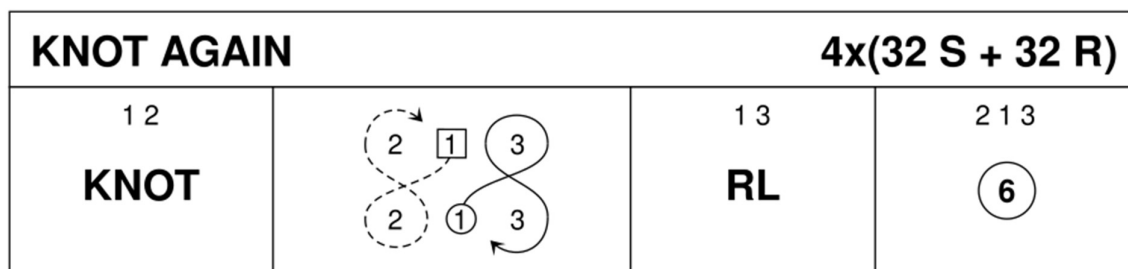
3C/4C longwise set.

KNOT AGAIN - Medley · 64 bars (S32+R32) · 3C (4C set)

Gayle Frisa

- 1- 8 1s + 2s dance the Knot
- 9-16 1s dance figure of eight, 1L round 2s, 1M round 3s
- 17-24 1s + 3s dance RL
- 25-32 2s+1s+3s circle 6H round and back

Repeat [1-32] in Reel time to (2,3,1,4) then 1c repeat [1-8] with 4c in Strathspey time to end in 4th place. NB crib derived from the video.



Gayle Frisa, 2015

4C/4C longwise set.